

O I P E J C I 3 5
SEP 2 1 2004
PATENT & TRADEMARK OFFICE

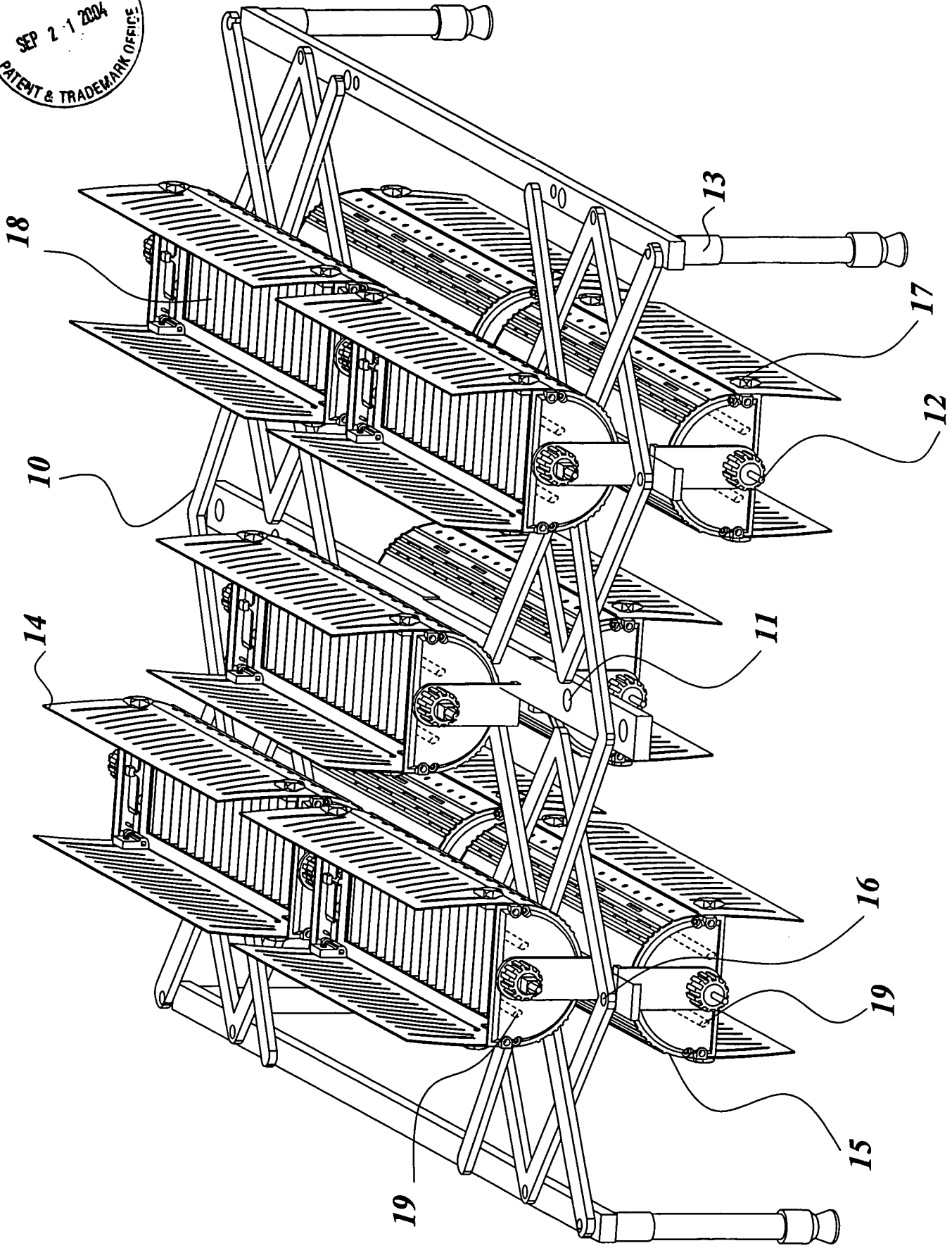


Figure 3

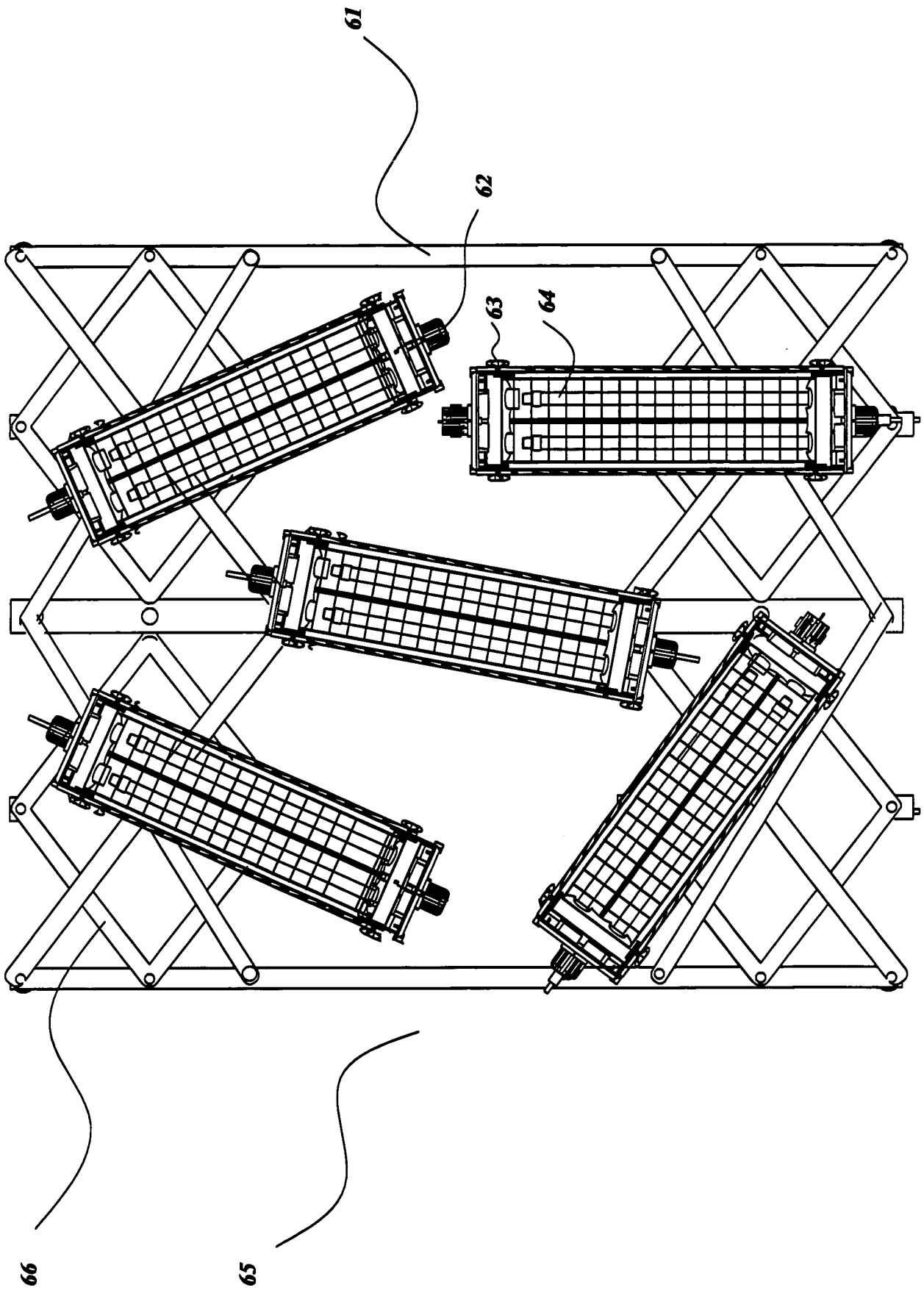


Figure 4

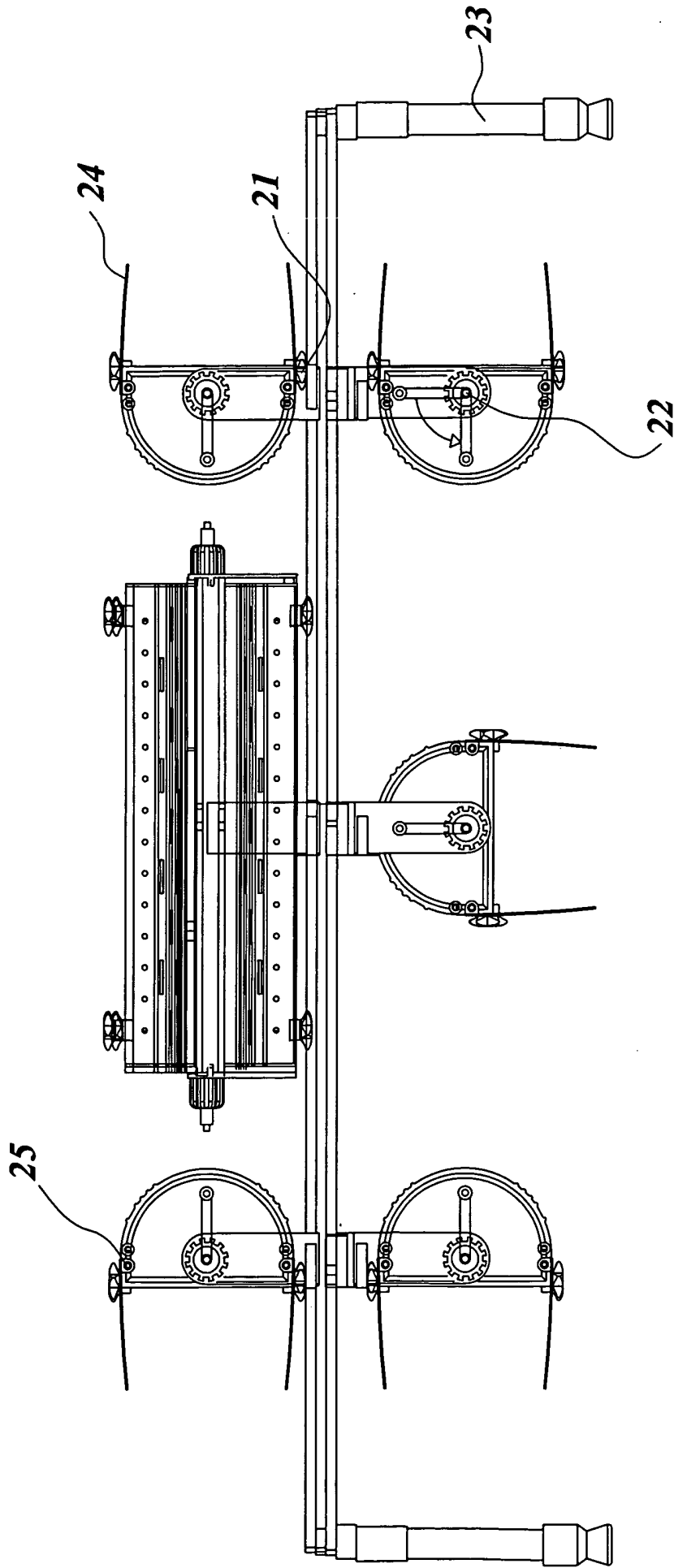


Figure 5

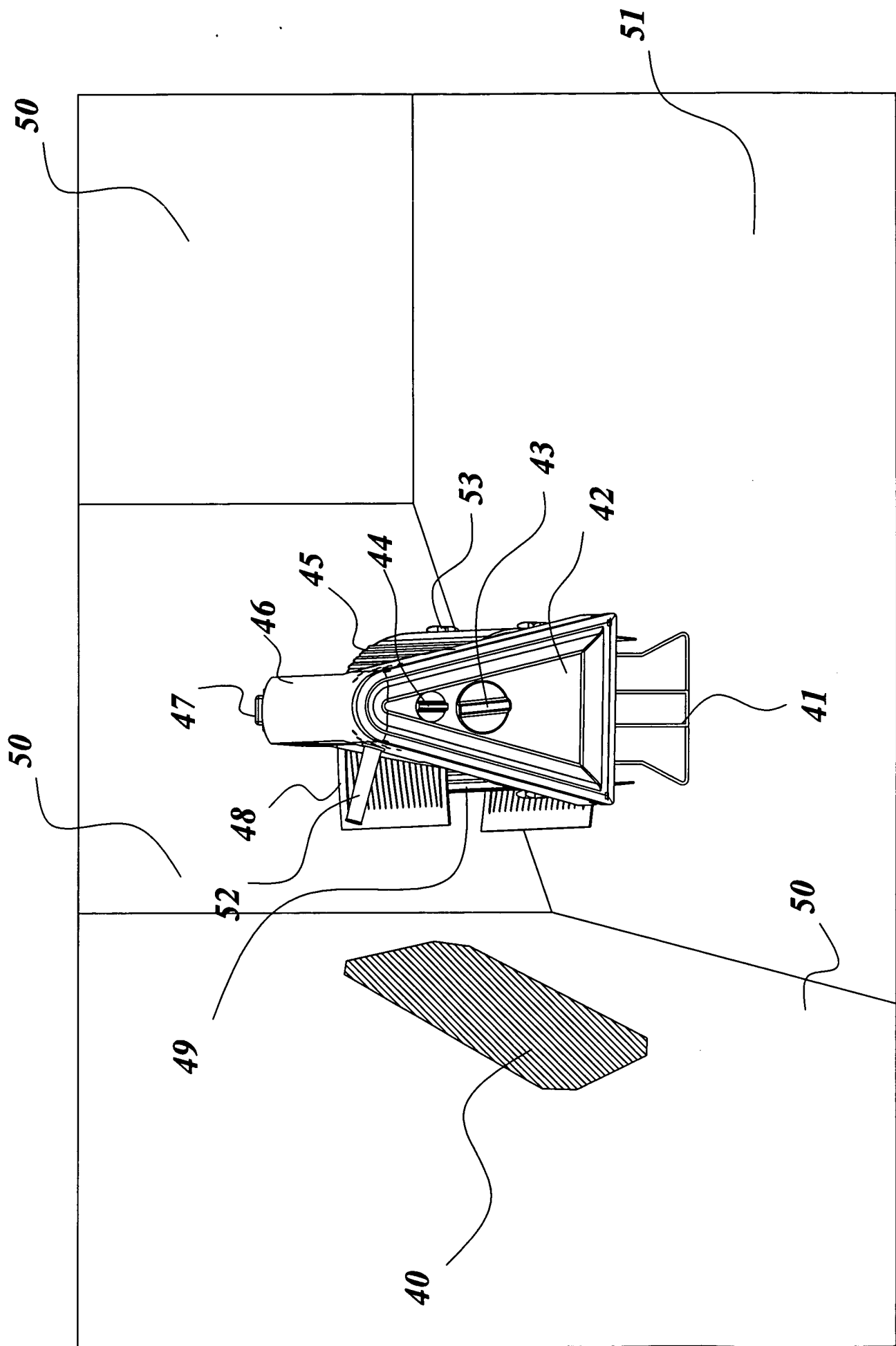


Figure 6

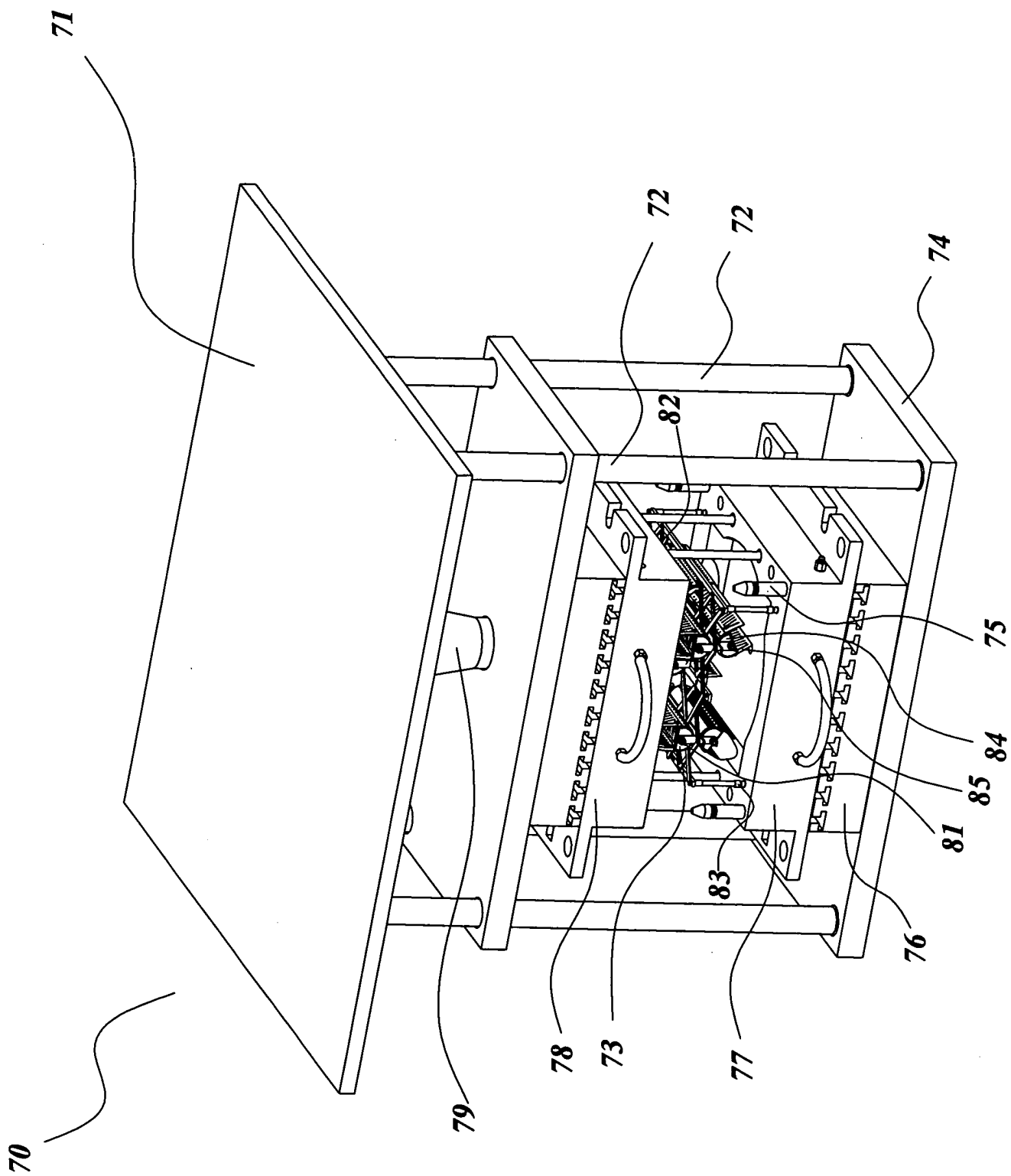


Figure 7